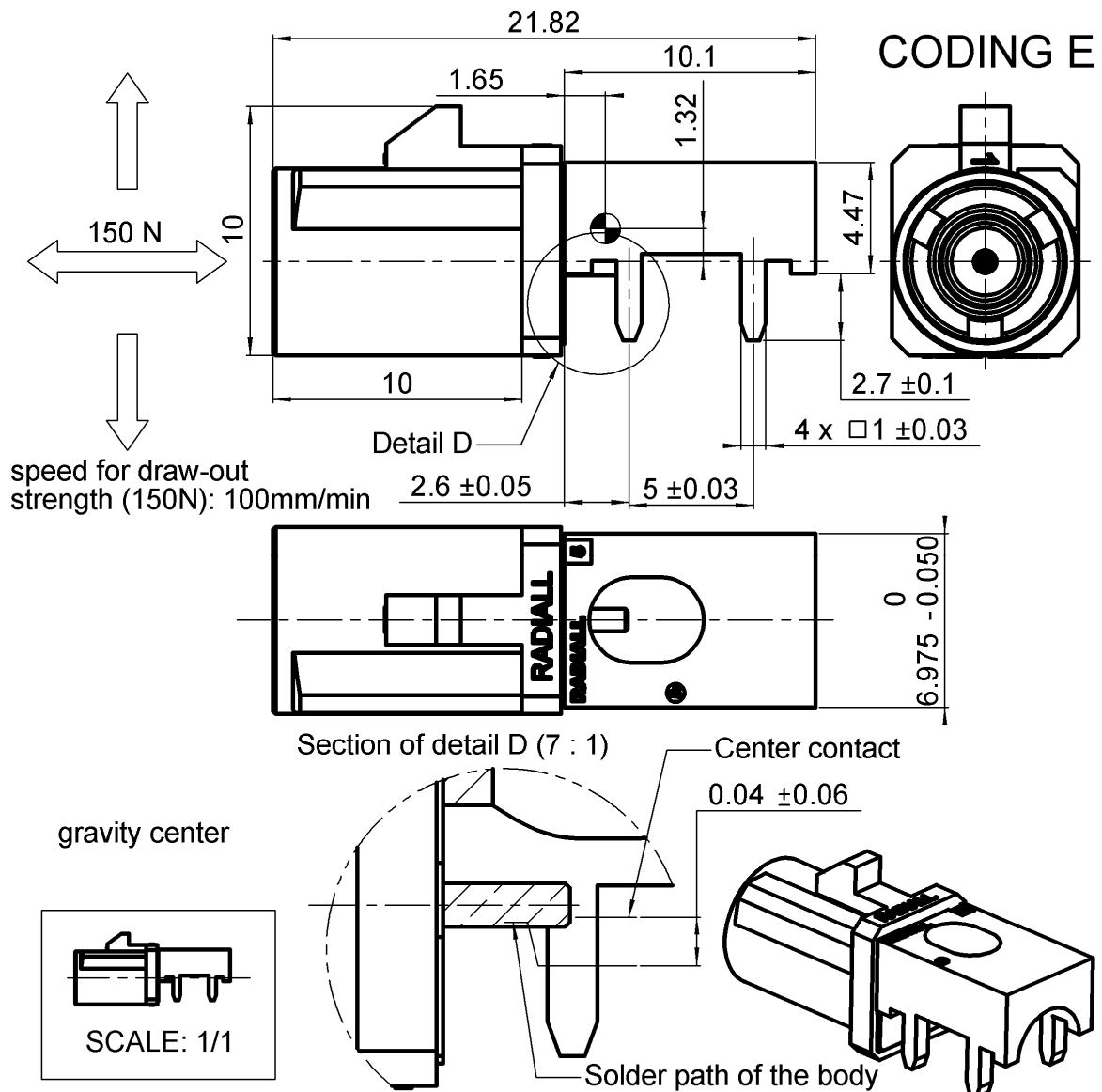


STRAIGHT PCB RECEPTACLE
EDGE CARD - PIN IN PASTE VERSION

R197.160.E18
Series : **SMB CARLOCK**



All dimensions are in mm.

COMPONENTS	MATERIALS	PLATING (µm)	
BODY	ZINC ALLOY	TIN FOR HI TEMPERATURE	
CENTER CONTACT	BRASS	GOLD 0.5 OVER NICKEL 2	
OUTER CONTACT	-	-	
INSULATOR	PTFE	-	
GASKET	-	-	
OTHERS PARTS	-	-	
-	-	UL CLASSIFICATION	COLOR
HOUSING	PA 4.6 30%GF	UL 94 V2	GREEN RAL 6002
		* According to FAKRA specification	

Issue : 0943 C

In the effort to improve our products, we reserve the right to make changes judged to be necessary.



STRAIGHT PCB RECEPTACLE
EDGE CARD - PIN IN PASTE VERSION

R197.160.E18
 Series : **SMB CARLOCK**

PACKAGING

Standard	Unit	Other
350	'W' option	Contact us

SPECIFICATION

QS9000
SN 55228-2**

ELECTRICAL CHARACTERISTICS

Impedance		50 Ω
Frequency		0-4 GHz
VSWR	1.06* +	0,0130 x F(GHz) Maxi
Insertion loss		0.03* √F(GHz) dB Maxi
RF leakage	- (- F(GHz)) dB Maxi
Voltage rating		335 Veff Maxi
Dielectric withstanding voltage		1000 Veff mini
Insulation resistance		1000 MΩ mini

ENVIRONMENTAL

Operating temperature	-40/+110 ° C
Hermetic seal	NA Atm.cm3/s
Panel leakage	NA

OTHER CHARACTERISTICS

Assembly instruction

Others :

*COAX TRANSMISSION LINE ONLY

**Complaint except that 2D label does not include the shipping note number.

MECHANICAL CHARACTERISTICS

Center contact retention		
Axial force – Mating end	10	N mini
Axial force – Opposite end	10	N mini
Torque	NA	N.cm mini
Recommended torque		
Mating	NA	N.cm
Panel nut	NA	N.cm
Mating life	50	Cycles mini
Weight	2,2323	g

Issue : 0943 C

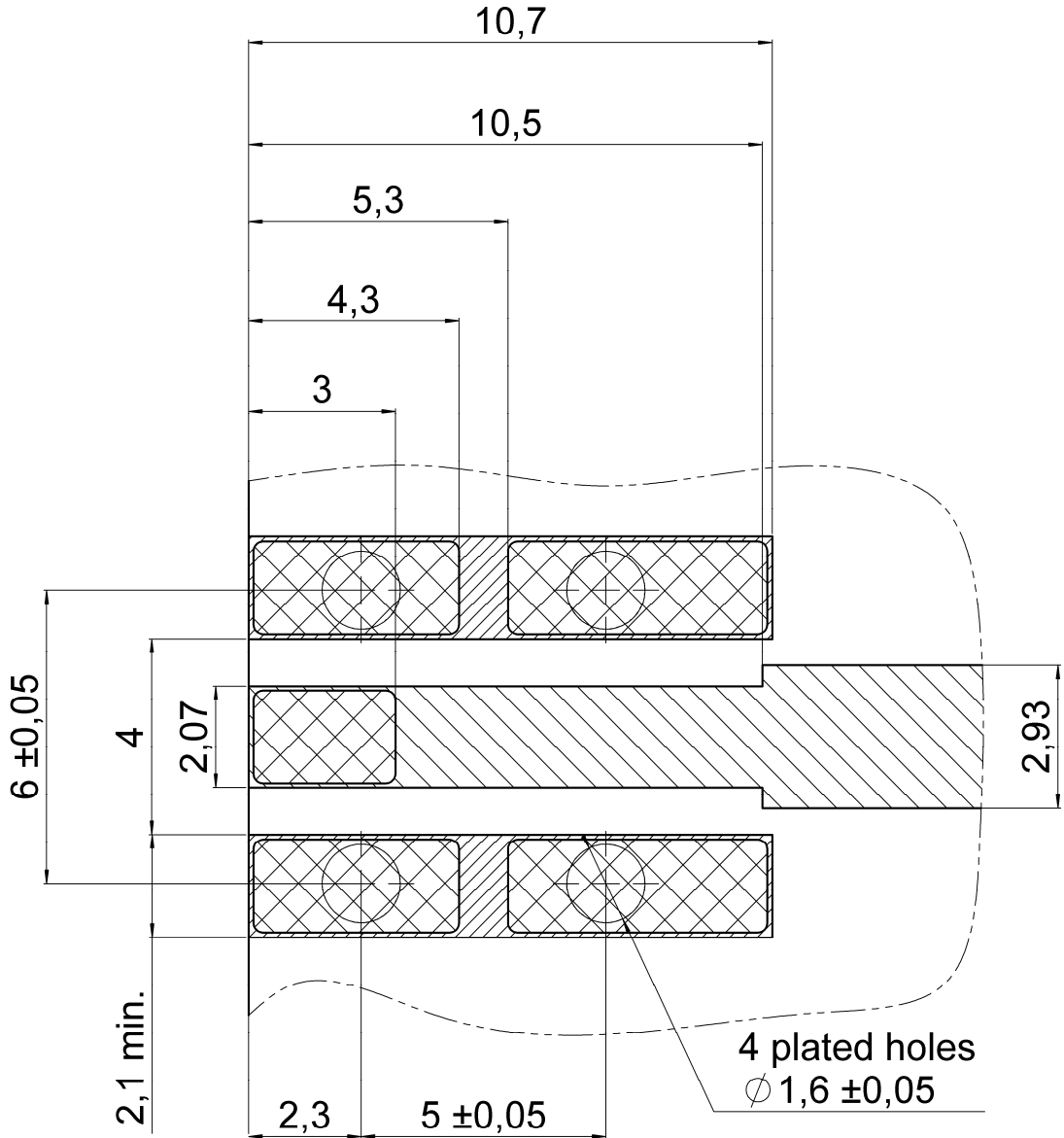
In the effort to improve our products, we reserve the right to make changes judged to be necessary.



STRAIGHT PCB RECEPTACLE
EDGE CARD - PIN IN PASTE VERSION

R197.160.E18
 Series : SMB CARLOCK

MOUNTING ZONE FOR RECEPTACLE



Thickness of PCB: 1,6 mm.
 Material of PCB: FR4 ($\epsilon_r = 4.6$).
 Solder paste has to be printed onto the land of solder and into holes to permit Pin In Hole Reflow

-  Ground track
-  Signal track
-  Land for solder

Issue : 0943 C

In the effort to improve our products, we reserve the right to make changes judged to be necessary.



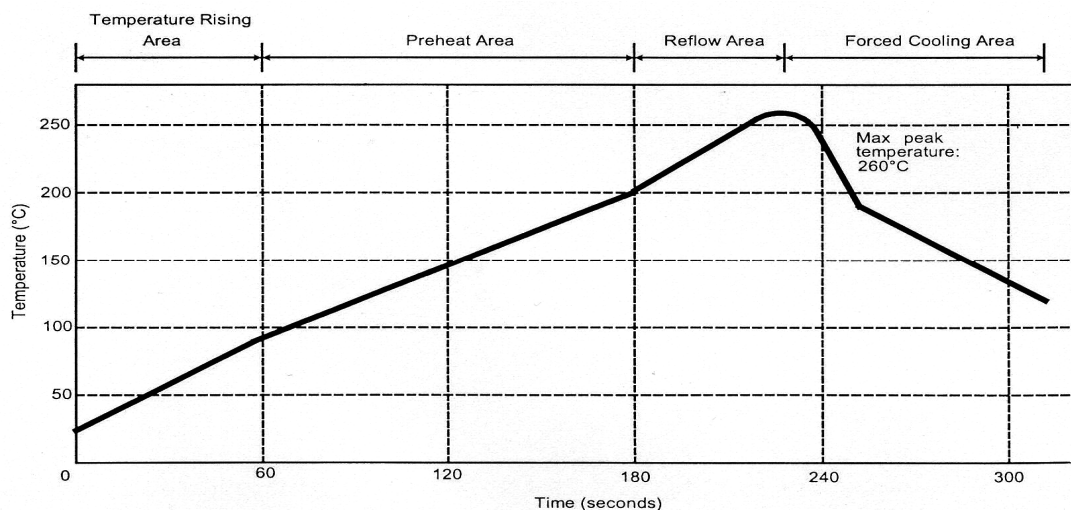
STRAIGHT PCB RECEPTACLE
EDGE CARD - PIN IN PASTE VERSION

R197.160.E18
 Series : **SMB CARLOCK**

SOLDER PROCEDURE

1. Deposition of solder paste ‘Sn Ag4 Cu0.5’ on mounting zone by screen printing application. We recommend a low residue flux.
 We advise a thickness of 0.2 millimetres min. (0.008 inch min.). Verify that the edges of the zone are clean.
2. Placement of the receptacle on the mounting zone with an automatic machine of ‘pick and place’ type.
 Video camera is recommended for the positioning of the component. Adhesive agents must not be used on the receptacle.
3. Soldering by infra-red reflow.
 Below, please find the typical profile to use.
4. Cleaning of printed circuit boards.
5. Checking of solder joints and position of the component by visual inspection.

TEMPERATURE PROFILE



Parameter	Value	Unit
Temperature rising Area	1 - 4	°C/sec
Max Peak Temperature	260	°C
Max dwell time @260°C	10	sec
Min dwell time @235°C	20	sec
Max dwell time @235°C	60	sec
Temperature drop in cooling Area	-1 to -4	°C/sec

Issue : 0943 C

In the effort to improve our products, we reserve the right to make changes judged to be necessary.



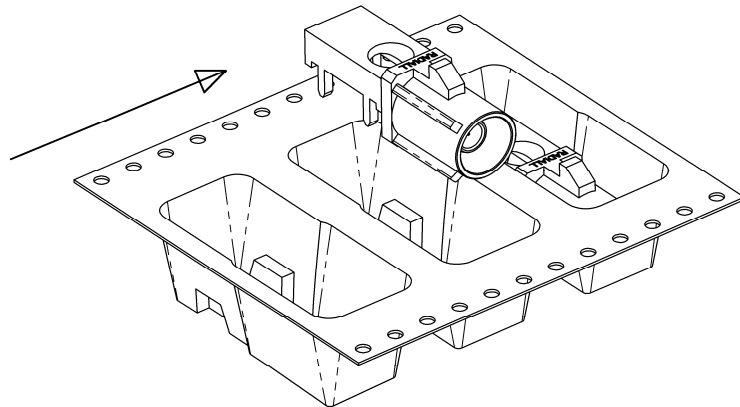
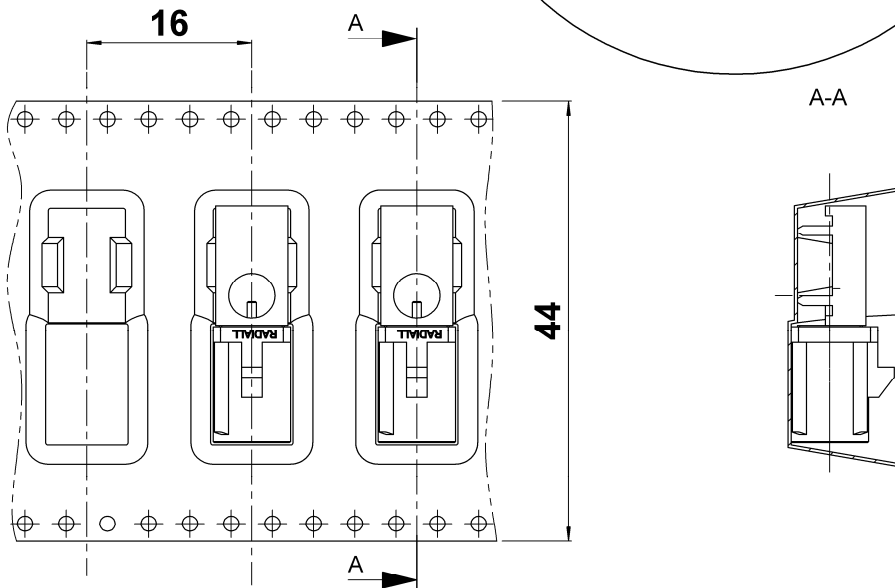
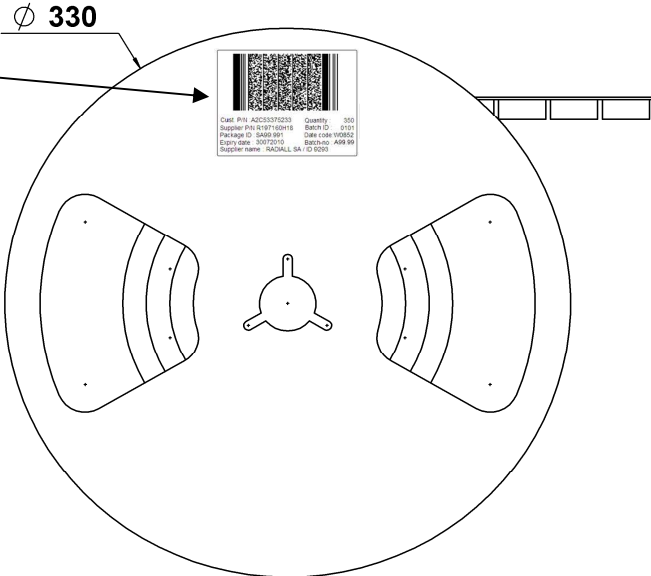
STRAIGHT PCB RECEPTACLE
EDGE CARD - PIN IN PASTE VERSION

R197.160.E18
 Series : SMB CARLOCK

REEL PACKAGING PER 350

Label for identification :

CELL MATERIAL :
 Polycarbonate
COVER TAPE MATERIAL :
 conductive polyester film tape



Issue : 0943 C

In the effort to improve our products, we reserve the right to make changes judged to be necessary.



STRAIGHT PCB RECEPTACLE
EDGE CARD - PIN IN PASTE VERSION

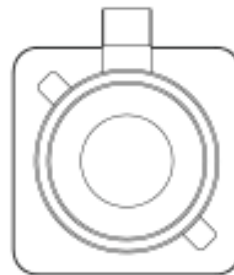
R197.160.E18
 Series : SMB CARLOCK



CODING A
 COLOR BLACK
 RAL 9005



CODING B
 COLOR CREAM
 WHITE
 RAL 9001



CODING C
 COLOR BLUE
 RAL 5005



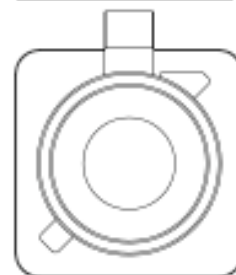
CODING D
 COLOR BORDEAUX
 VIOLET
 RAL 4004



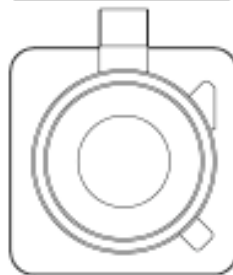
CODING E
 COLOR GREEN
 RAL 4002



CODING F
 COLOR BROWN
 RAL 8011



CODING G
 COLOR GREY
 RAL 7031



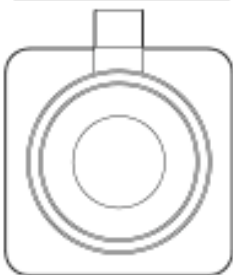
CODING H
 COLOR VIOLET
 RAL 4003



CODING I
 COLOR BEIGE
 RAL 1001



CODING K
 COLOR CURRY
 RAL 1027



CODING Z
 COLOR WATER BLUE
 RAL 5021

UL CLASSIFICATION
 UL 94 V-2

**According to FAKRA specifications*

To obtain other coding for the connector please change the letter by the needed coding letter into the Part Number

Issue : 0943 C

In the effort to improve our products, we reserve the right to make changes judged to be necessary.

